

## Features

- Universal Input 90~264V AC
- Interchangeable Power Supply
- Approved to CE, TUV, cULus, RCM (C-Tick), RoHS & REACH
- UL/IEC/EN 60950-1 Safety Approved
- Supplied with UK, US, EU, and AUS AC heads



Ideal Power's 15DYS650-xyW-K-RS 50W AC/DC External Adapter Interchangeable Power Supply (PSU) Series are certified to CE, cULus, TUV, RCM (C-Tick), RoHS, REACH & EN 60950-1/IEC 60950-1/UL 60950-1 Standards and comply with the relevant Efficiency Regulations. These are primarily used in ITE, Audio & Video Industries and customised solutions are available upon request.

### Models

Model Number	Output Voltage (V dc)	Output Current (A)	Output Power (W)	Efficiency (%)
15DYS650-090400W-K-RS	9	4	36	87.4
15DYS650-120420W-K-RS	12	4.2	50.4	88
15DYS650-150336W-K-RS	15	3.36	50.4	88

### Input Data

	Min	Typical	Max	Units	Notes
Input Voltage	90	--	264	V AC	100-240VAC +/- 10%
Input Frequency	47	--	63	Hz	60Hz/50Hz Nominal
Input Current	--	--	1.3	A	at 100-240V ac input & Full load
Inrush Current	60	--	80	A	at 100-240Vac input and Max load for a cold start at 25°C
Energy Consumption	--	--	0.1	W	While input 115Vac or 230Vac and the output is no load

### Output Data

	Min	Typical	Max	Units	Notes
Output Current Range	0.0	--	14.0	A	Model dependant
Output Voltage Range	8.55	--	15.75	V	Model dependant
Ripple & Noise	150	--	300	mVp-p	Model dependant
Line Regulation	--	±3	--	A	@ 100 Vac to 240 Vac input & Full load
Load Regulation	--	±5	--	%	
Turn-on Delay Time	--	--	3	S	
Hold-up Time	5	--	--	S	
Capacitance Load			470	uF	
Over/Undershoot	--	--	10	%	When power on or off
Transient Response	the output shall not exceed 10% of the nominal output voltage, load fluctuation: from 20% to 80%, R/S: 0.5A/uS, frequency: 100Hz duration and 8mS at 80%.				

### Protection Requirements

	Min	Typical	Max	Units	Notes
Over Current Protection	--	--	5.2	A	Will recover if fault condition is removed
Short Circuit Protection					Will recover if fault condition is removed
Over Voltage Protection					Will recover if fault condition is removed

### Environmental Data

	Min	Typical	Max	Units	Notes
Operating Temperature	0	--	+45	°C	
Storage Temperature	-20	--	+80	°C	
Operating Humidity	10	--	90	%	non condensing
Relative Humidity	5	--	95	%	non condensing
Vibration	10	--	300	Hz	sweep at a constant acceleration of 1.0G(Breadth: 3.5mm) for 1Hour for each of the perpendicular axes X, Y, Z

### Reliability Requirements

	Min	Typical	Max	Units	Notes
Burn-in	4	--	--	Hrs	Under normal input and 80% rated load at 40°C ± 5°C
MTBF	25.000	--	50.000	Hrs	@25°C Full load and nominal input
Dielectric Strength	--	--	5	mA	4242Vdc / 60s (3s for mass production)
Leakage Current	--	--	0.25	mA	@ 264Vac / 50H
Insulation Resistance	50	--	--	mΩ	@primary to secondary add 500Vdc test voltage

### EMI/EMS Standards

	Test Level	Test Criteria
EMI	EN 55032, FCC Part 15	Class B
EMS	EN 55024	
ESD	IEC 61000-4-2, Air discharge +/-8KV, Contact discharge +/-4KV	Pass B
EFT	IEC 61000-4-4, AC-Input 0.5KV/1KV	Pass A/B
Surge Voltage	IEC 61000-4-5 Differential mode +/-1KV. Common mode +/-2KV	Pass A

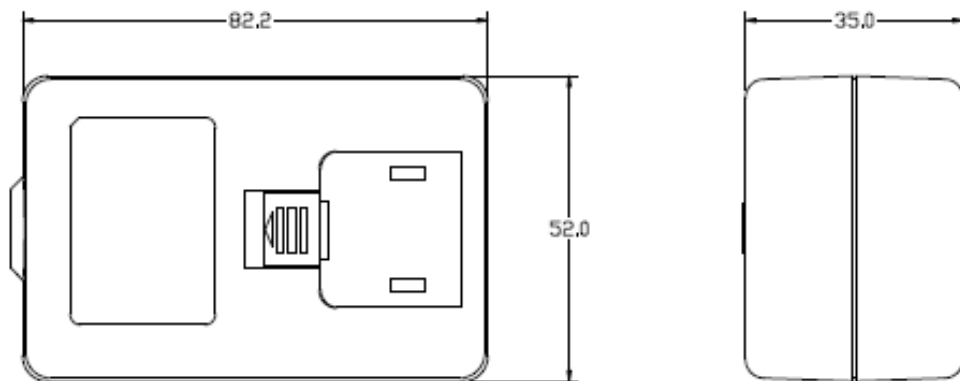
### Safety Approvals

	Safety Standards
Safety Standards	IEC/EN/UL 60950-1, AS/NZS 60950-1
Approvals	UKCA, CE, CCC, TUV-GS, RCM (C-Tick), FCC, RoHS & REACH

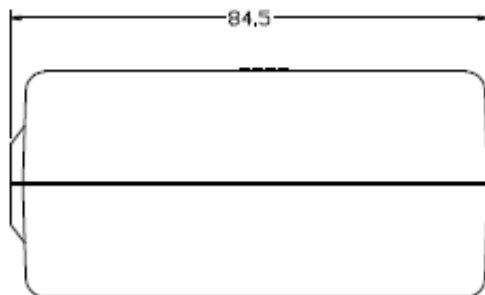
### Product Information

	Notes
Dimensions	82.2 x 52 x 35mm
Output Cord	UL2468 16AWG, 1.2M Black
Output Connector	DC Plug: 2.1 x 5.5 x 12.0mm

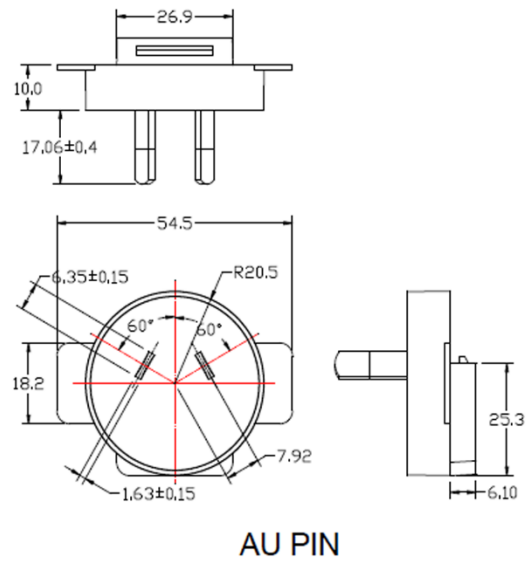
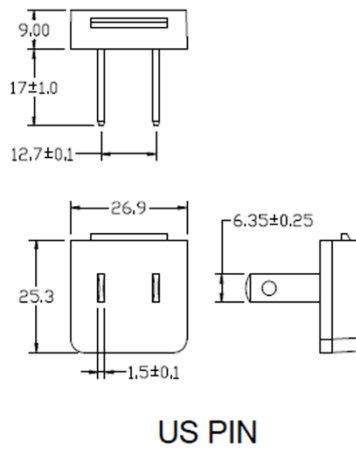
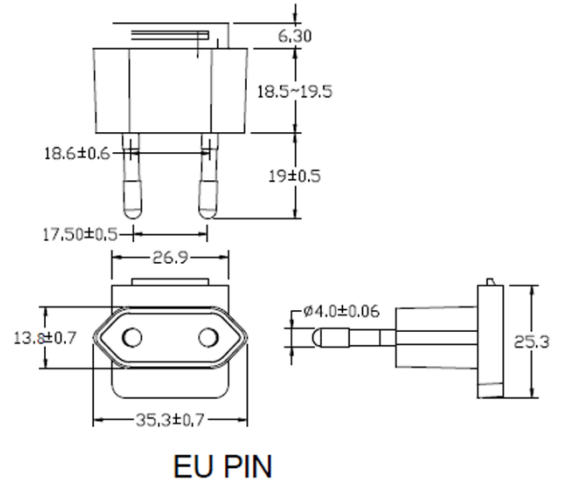
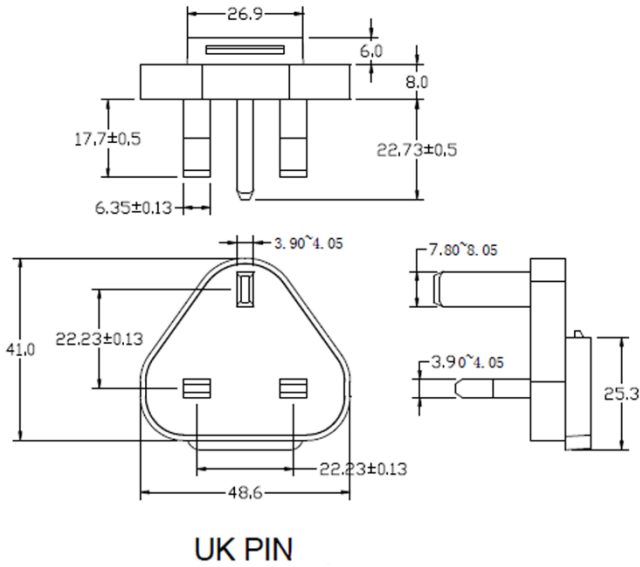
### Mechanical Drawing



CASE



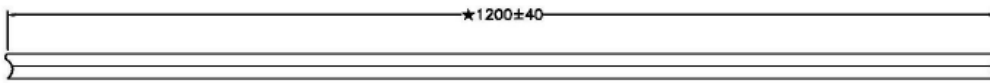
Mechanical Drawing - continued



AC - DC

**Cable Drawing**

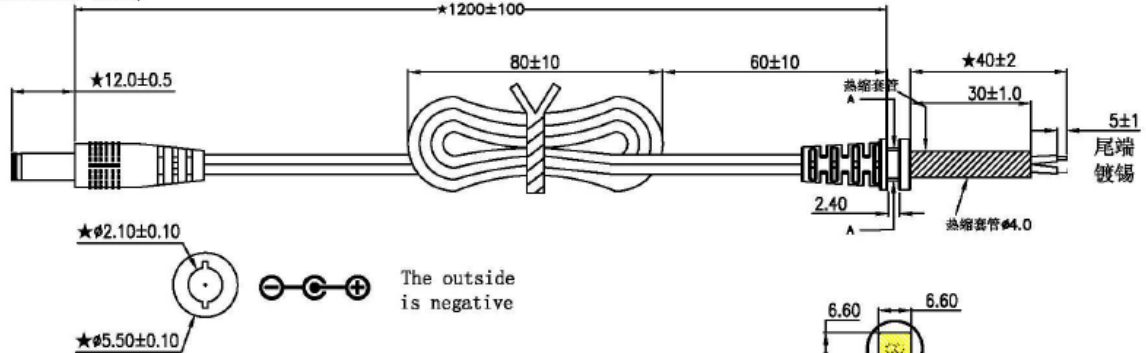
Semi-finished products wire:



wire specification:

- 1, UL 2468 16AWG flatnre printed black nords outside. (lettering) DC plug&SR Tensile Strength: Attach a 5Kg weight to the Cable.
- 2, Polarity: Stripe link anode, Lettering link cathode. Strain relief Bending Test: Apply a 200g to the Cable, Swing the 200°, 45 cycle/min, 4500 cycles.

The finished wire;



Matters needing attention:

- 1, DC PLUG:  $\phi 2.1 \times \phi 5.5 \times 12.0$  A tuning fork and hook (Black Insulation)
- 2, SR SIZE:  $6.6 \times 6.6 \times 2.4$
- 3, ★ Symbol as important parameters

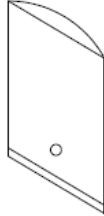
**Label**



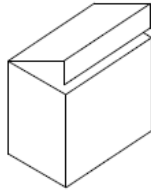
AC - DC

**Packaging**

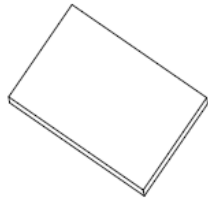
PLASTIC BAG



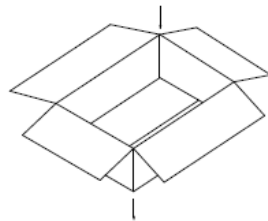
WHITE BOX



CARDBOARD



PAPER CASE


**MECHANICAL DIMENSION:**

	L(mm)	W(mm)	H(mm)
PLASTIC BAG	210	130	
WHITE BOX	143	70	60
CARDBOARD	370	296	
PAPER CASE	380	306	275

**PACKING METHOD:**

PACKING METHOD	10PCS/LAYER *4LAYERS
QTY	40PCS
N.G	8.8Kg
G.W	10.3Kg